

**Miele**

Anything else is a compromise

**Miele Dishwashing**  
**Experience the difference**  
**Edition 5**



# Welcome to Miele



"Miele South Africa, Johannesburg, Bryanston, Showroom"

When the Miele company was first started back in 1899, the founders, believing that success was only achievable in the long term by being totally convinced of the quality of one's product, elected to produce machines that were both durable and long lasting.

Their motto "Immer besser", which translates as "Forever better", represents this philosophy. It remains our company motto to this day and permeates through every aspect of our business, from the drawing board down to the very last nut and bolt in a machine. And it is thanks to this philosophy that the Miele brand is now identified with unsurpassed product quality, worldwide.

Founded by Carl Miele and Reinhard Zinkann in 1899 with only 11 employees, Miele quickly gained recognition as a manufacturer of premium appliances.



To help meet demand there are subsidiaries in more than 39 countries making Miele the largest privately held appliance manufacturer in the world.

As our policy is one of continuous improvement, new features, accessories and colours may be introduced to models during the lifetime of this brochure. Your Miele Dealer will be pleased to advise on any later developments.

Miele came to South Africa in 1982. Since then the company has grown rapidly, moving to its current prestigious location in Bryanston, Johannesburg in March 2004. Our Cape Town showroom opened at the end of September 2005. The Brooklyn Pretoria showroom opened in August 2008 and the Durban showroom opened in October 2009.



Our showroom trading hours are from Mondays to Fridays from 9.00 am to 5.30 pm and on Saturdays from 9.00 am to 1.00 pm. On Public Holidays and Sundays we are closed. If possible, please arrange an appointment for quality customer care in advance.

Immer besser – Forever better



# Contents

Design and function in harmony 4



Dishwashing programmes 24–25



The environment 5



Product overview 26–28



Highlights 6–7



Freestanding 29–31



Design and convenience 8–13



Integrated 32–33



Cleaning and sensors 14–15



Fully integrated 34–35



Efficiency and sustainability 16–17



Technical data 36–37



Controls 18–19



Miele support and The Miele Service Certificate 38



Technology and quality 20–21



Other Miele products 39



Gentle care of crockery 22–23



# Design and function in harmony



## **Miele dishwashers**

Miele enters a new era of dishwashing with the G 5000 range. Pioneers in the dishwashing arena, Miele has developed a new range of integrated and fully integrated dishwashers with even more useful features and programmes. Attention to detail with unrivalled basket design, greater flexibility with the new 3D cutlery tray and even better sustainability credentials are the centrepieces. All Miele dishwashers are designed to complement other Miele kitchen appliances, ensuring a perfectly consistent kitchen design.

With the new dishwashers, design, aesthetics, ease of use and innovation are all combined in one appliance. The controls and display elements are positioned in the centre of the fascia panel for easy and logical programme selection. The new dishwashers from Miele – perfect in technology and design.

**Only from  
MIELE**

**Exclusive to Miele:  
the ergonomically designed  
fascia panel**

Thanks to the slanted fascia panel the controls are all extremely easy to read and use from a standing position. Programming made easy.

## **Elegant:**

### **a vast choice of combinations**

However you wish to equip your kitchen, Miele dishwashers are designed to harmonise perfectly with Miele's other built-in products, so you can create the exact combination of appliances to suit you.

# The environment



## Longevity

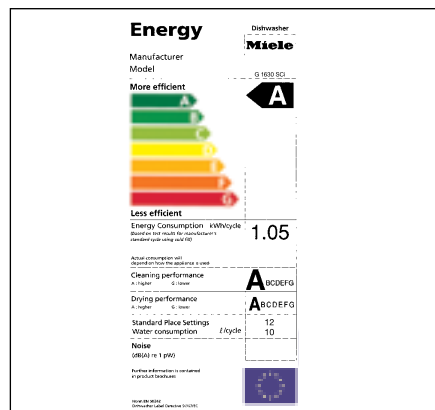
Miele's philosophy is to make machines that perform exceptionally well and last for decades. The longevity of Miele products is in itself a major contributor to the concept of conserving resources and economising on materials.

## Reducing packaging

When it comes to the packaging, our motto is "as much as necessary, but as little as possible". Naturally we make it as environmentally friendly as we can, and all our packaging is recyclable.

## Recycling appliances

Thanks to their high metal content, Miele appliances are the most recyclable in the world. All plastic components are marked so that they can be manually sorted into their different materials for recycling at the end of their life.



## Energy labelling

To help you see at a glance whether an appliance is economical to run, the EU has standards by which every appliance must be measured for efficiency. Dishwashers are rated according to their energy consumption and cleaning and drying performance. Miele has always cared for the environment, so naturally all our dishwashers are energy efficient with an A for electricity consumption. Many models gain straight A's: energy efficiency A, wash performance A, drying performance A.

## Automatic load recognition\*

The new, intelligent load recognition feature permits the correct amount of water to enter the dishwasher every time. For example, the water intake can be reduced by up to 16% for a small load, whereas if the load is large, additional water will be taken in for the wash. It's good for the environment – and good for you!

\* – model dependent

# Dishwashers

## Highlights

Exclusive to  
**MIELE** **Taking cutlery care onto the next level**



Miele's 3D cutlery tray is unique: It can be adjusted in all three dimensions and adapts perfectly to different load situations. Even awkward items such as soup ladles and whisks are easy to accommodate.



Exclusive to  
**MIELE** **Perfect illumination for easier loading**



4 power LEDs immerse the dishwasher interior in brilliant light. The area in front of the dishwasher is also well lit, significantly improving loading and unloading.



Exclusive to  
**MIELE** **Revolution on wheels**

New basket handles, a completely redesigned lower basket and a whole host of innovations in the upper basket: Miele's new dishwashers ring in a new era in basket design.





### Economical in the extreme

Save money and protect the environment:

Miele dishwashers require only 0.83 kWh in EnergySave. And produce perfect cleaning results with as little as 7 l of water in the Automatic



programme – far less than the contents of a sink!



### For perfectly dry crockery

The dishwasher door opens automatically at the end of a programme cycle. Even challenging items such as plastics are perfectly dried.



### Thoroughness that is seen and not heard

Miele's ExtraQuiet washes with sound emissions of only 38 db(A) and is so quiet as to be hardly perceptible, making it the ideal proposition for open-plan kitchens, kitchen-diners and programmes set to run over night.

# Dishwashers

## Design and convenience

### Smoother running, longer lasting

The special coating on Miele dishwasher baskets guarantees durability and protects crockery. Whether loaded or empty, Miele baskets can be handled with ease.

### Exclusive to MIELE Taking cutlery care onto the next level



The cutlery tray – a Miele invention – offers a whole range of benefits: All items of cutlery are separated, reducing the risk of scratching. Cutlery can also be conveniently and hygienically removed. The revolutionary 3D cutlery tray from Miele offers even more functions: It can be adjusted in all three directions and adapts perfectly to different load arrangements. This allows awkward items such as whisks and soup ladles to be given their rightful place and be washed gently.



### MultiComfort zone in lower basket

The new and unique MultiComfort zone allows plates of different sizes (max. 35 cm Ø) to be accommodated in three rows. Cutting boards, serving platters, large bowls and dishes and tall beer glasses each find their place.

For larger pots and pans and bulky items, the entire lower basket can be rearranged to provide a flush, flat surface.



### Ergonomic basket handles

Ergonomic basket handles simplify loading and unloading. Choice materials underline Miele's claim to quality.

Ideal space for glasses: Height-adjustable glass holders and a special glassware rail in the lower basket help provide a secure hold for glassware and stemware, ensuring spotless, gentle cleaning.



#### **Jumbo cup rack in upper basket**

Large cups for milk coffee, coffee cups and tea mugs, muesli bowls ... the width-adjustable cup rack is perfect for a wide range of crockery items, individual and space-saving.



#### **Height-adjustable upper basket**

On all Miele dishwashers, the upper basket is height-adjustable and can even slope to one side. A total of 9 positions are possible. The space available in the dishwasher can be put to optimum use in each case.



#### **Hinged row of spikes in upper basket**

The left-hand side of the upper basket can be used as always for cups and glasses or – with the row of spikes laid flat – as a flat surface for bowls and dishes.



#### **Height-adjustable glassware rail in upper basket**

Many guests, many glasses? No problem for a Miele dishwasher. The height-adjustable glassware rail on the left-hand side of the upper basket creates even more space for long stemware.



#### **Ideal for glassware**

Ideal space for glasses: Height-adjustable glass holders and a special glassware rail in the lower basket help provide a secure hold for glassware and stemware, ensuring spotless, gentle cleaning.



#### **Hinged bottle holder**

Bottles, vases and other tall and slim items require a secure hold in the lower basket to stop them from toppling over. The bottle holder is designed to allow jets of water to access the interior of bottles. If the space is required for other items of crockery, the bottle holder can be simply flapped down.

# Dishwashers

## Design and convenience

For a wide range of needs



### **Basket design ExtraComfort**

- Height-adjustable upper basket
- Cutlery tray
- Basket handles
- Fixed row of spikes in the upper basket
- MultiComfort zone in lower basket
- 2 rows of spikes in lower basket (hinged on right, fixed on left)
- 2 height-adjustable glass holders in lower basket



### **Basket design HighComfort**

- Height-adjustable upper basket
- 3D cutlery tray
- Basket handles
- Hinged row of spikes in upper basket
- Jumbo cup rack in upper basket (width-adjustable)
- Height-adjustable glassware rail in upper basket
- MultiComfort zone in lower basket
- 2 rows of spikes in lower basket (hinged on left and right)
- 2 height-adjustable glass holders in lower basket



**Basket design PremiumComfort**

Height-adjustable upper basket

3D cutlery tray

CleanSteel basket handles

Hinged row of spikes in upper basket

Jumbo cup rack in upper basket

(width-adjustable)

Height-adjustable glassware rail in upper basket

MultiComfort zone in lower basket

2 rows of spikes in lower basket

(hinged on left and right)

4 height-adjustable glass holders in lower basket

Hinged glassware rail in lower basket

Hinged bottle holder in lower basket

# Dishwashers

## Design and convenience

Exclusive to  
**MIELE**

### ComfortClose – Miele's premium door feature



Benefit from the ease with which Miele's dishwasher door opens and closes. Convenient: The door stays put in all positions.



Exclusive to  
**MIELE**

### Perfect illumination for easier loading



4 power LEDs immerse the dishwasher interior in brilliant light. The area in front of the dishwasher is also well lit, significantly improving loading and unloading. Even baskets pulled out for loading and unloading are brightly lit – a particular benefit in a dimly lit kitchen.



Exclusive to  
**MIELE**

### Salt easy to refill



The patented salt container is located in the dishwasher door; it can be conveniently filled with the door half-open and without having to bend.

Convenient refilling of reactivation salt





**Clean crockery fast!**

Your crockery is needed for the next meal? Then simply use the Miele Turbo function to reduce the length of a programme by up to 50 mins. Cleaning and drying results will not suffer.



**Intensive lower basket**

Pulls no punches in the fight against dirty dishes 'Lower basket intensive' boosts cleaning performance in the lower basket and is available in a wide range of programmes. At the same time, delicate items of crockery can be washed gently in the upper basket. This is Miele's way of combining powerful cleaning performance with gentle cleaning.



**Simple and ergonomic operation**

Taking convenience onto the next level: The controls. Miele dishwashers spoil users with a high-end user interface: Convenient sensor controls, a text display with user prompts, an inclined fascia for ergonomic handling and good readability. All Miele dishwashers are simple and intuitive to use.



**Variable spray pressure**

Some dishwashers have a variable speed pump which operates at different speeds depending on whether the programme is designed for light or heavy soiling, thus ensuring excellent care of your crockery and glassware.

It has also enabled sound emissions to be kept as low as possible.



**The GlassCare system**

To protect your glassware, the Miele GlassCare system includes a unique sensor controlled water softener, which electronically controls the hardness level of the water entering the cabinet at wash temperatures of up to 55°C. In addition, the new baskets offer a variety of secure positions in which to place glasses.



**Add-an-item**

How often have you put the dishwasher on, and then come across another item that needs to be washed as well? On top of the range dishwashers "Add-an-item" will appear in the display to let you know it is still possible to add items without compromising wash results.

# Cleaning and sensors





### **Turbothermic drying**

Glassware has the ability to store heat and Miele dishwashers take advantage of this heat to enable rapid drying results. On our G 5000 series, the turbothermic drying system has been improved. Room temperature air enters the machine at the bottom of the appliance and condenses the air inside the machine against the cabinet walls. No external air enters the cabinet which means it is cleaner.



### **Triple filter system**

Miele dishwashers have a unique triple filter system to ensure you get excellent results whilst using water and energy efficiently. The coarse, fine and microfine filters retain any residue to keep the circulating water filtered and clean. The base of the filter is hinged, giving easy access for cleaning, and some models also feature a special LED on the control panel to remind you when to clean the filter.



### **Through-flow water heater**

Most Miele dishwashers have a through-flow water heater located inside of the machine instead of in the bottom of the wash cabinet. A powerful pump circulates water continually through the heater to ensure that it maintains the correct temperature. The heater elements are concealed, there's no problem placing heat sensitive items in the bottom basket.



### **Sensor wash**

Not knowing which programme to use for different types and soiling levels of crockery and glassware has all too frequently resulted in users simply selecting the longest programme with the highest temperature as a last resort – often to the detriment of the load being washed. Glass in particular reacts very sensitively to soft water and excessively high temperatures. Miele dishwashers have sensors to help overcome these problems.



### **Eco Sensor**

All Miele dishwashers feature an Eco Sensor which uses a light beam to measure the murkiness or turbidity of the water and uses the information to adapt the programme to the degree of soiling by either reducing or increasing the number of water changes. Should you inadvertently select an inappropriate programme for the level of soiling on the dishes, your dishwasher will compensate for this to produce the best possible wash results.



### **Auto Sensor**

Models with the Sensor Wash and Sensor Wash Gentle programmes feature an Auto Sensor. This sensor can differentiate between particles and bubbles for even more accurate results. The Auto Sensor can read this information and influence the water consumption, programme duration and temperature. This feature takes out all the guesswork involved for a true automatic programme.

# Dishwashers

Efficiency and sustainability\*





**The most economical Miele dishwashers ever**

Good news for the environment – and for your personal finances: Miele dishwashers reduce electricity consumption to new all-time lows: With 14 standard place settings, a Miele in the EnergySave programme requires only 0.83 kWh (corresponding to 0.06 kWh per place setting).



**Saving valuable water**

Never before has dishwashing been so environmentally friendly: In the Automatic programme, Miele dishwashers wash crockery with as little as 7 litres of water – much less than the contents of a sink. Miele has reduced water consumption over the past 30 years by 85%.



**Saves up to 40% electricity**

Thanks to ThermoSave, all Miele dishwashers can be connected to hot water with a temperature of up to 60°C. This reduces electricity consumption by up to 40% and running times by up to 9%. This reduces electricity consumption to as little as 0.4 kWh in the Delicates programme.



**Miele – in a class of its own**

The energy label provides information at a glance on the running costs and performance of a dishwasher. Miele machines combine top cleaning and drying performance (both A-rated) with extremely low electricity and water consumption: Miele dishwashers are 20% more energy-efficient than required for an A-rating on the energy label.

Electricity consumption: A\*  
 Cleaning performance: A  
 Drying performance: A

\* 20% more economical than Energy Efficiency Rating A



**Reduced load – reduced consumption**

Miele dishwashers automatically measure the amount of crockery in the cabinet and adjust water and electricity consumption accordingly. Thanks to the 'Half load' function, there is no longer any need to wait until a dishwasher is fully loaded.

\* features depending on model

# Controls

Miele dishwashers offer a range of different control options so you can find the one to suit your lifestyle and design requirements. They all feature electronic controls, which were developed and made in our own factories. Because they are fully electronic, there is less wear and tear to the control system. They also offer a wide range of intelligent programmes including special

programmes with user friendly names to make the chore of choosing the right programme a thing of the past. The appliances also use intelligent technology to adapt to circumstances and make the most economical use of electricity, water and salt.



With the new dishwashers, the controls and display elements are positioned in the centre of the fascia panel for easy and logical programme selection.

**Only from  
MIELE**

The controls on some models are set at an ergonomic angle making them extremely easy to read and use from a standing position.

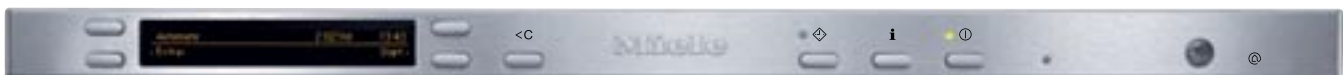
These dishwashers offer a range of control types from simple selector button controls to models with selector buttons and a time left display. Going up the range, greater functionality is introduced, including a delay start function and a DetergentAgent function to optimise the programme to the type of detergent being used.



Topping the range is a model with the large Plus Navitronic display and user friendly backlit touch sensor controls. The display is in clear text and intuitively guides you through the programme selection process.

The controls are easy to operate at a mere touch and being flush, are easy to keep clean. A wider programme choice is also introduced including special hygiene programmes.

Programme parameters can also be tailored to include features such as a pre-wash or a soak, and you can even programme the display to list your favourites first. These models also introduce an Info button which will give you tips and guidance on which programme to use.



With the fully integrated models, the controls are discreetly concealed from view when you don't need to see them. The entry level model offers simple push button controls and check lights to remind you when to replenish the salt and rinse aid.

Going up the range, a time left display is introduced together with a delay start option and a DetergentAgent function to optimise the programme to the type of detergent being used.

The flagship model in the range offers a large clear text display and scroll buttons for programme selection as well as an Info button which will give you tips and guidance on which programme to use.

# Dishwashers

## Technology and Quality



### **A sound investment**

All the components on a Miele dishwasher are designed and tested to last at least 7500 programme cycles. Based on average domestic use\*, this corresponds to around 20 years. Such a long life span goes easy not only on the pocket but also on the environment.

(\* 7 wash cycles per week)



### **Child-safety device, control indicators:**

The child-safety lock integrated into the handle recess protects against tampering and misuse, for example by small children. Highly visible indicators provide information on when salt and rinse aid need replenishing or when a programme has ended.

### **Miele – Dishwashing pioneer**

The first European dishwasher was launched in 1929 – by Miele. Whereas the focus in the early years was clearly on perfect crockery cleaning, a shift in focus in recent years now also includes user convenience and gentle treatment of glassware and crockery. Miele sets standards in all disciplines – yesterday as today. This has been confirmed time and time again by independent tests.



#### **Waterproof System:**

To protect against flooding, all Miele dishwashers feature the Miele Waterproof System.



#### **Stainless steel with CleanSteel finish**

Fewer fingerprints – greater convenience.

Miele stainlesssteel fascia panels feature a special CleanSteel finish. They prevent visible fingerprints. CleanSteel is also easy to clean – without the need for special detergents.



# Dishwashers

Gentle care of crockery





Exclusive to  
**MIELE**

**Best care for valuable glassware**



Soft water enhances cleaning performance in a dishwasher but is aggressive to glassware. Consequently, all Miele

dishwashers feature Perfect GlassCare technology. This feature ensures that the water used has the correct mineral content. This helps protect glassware and keeps stemware looking as good as new.

**For high cleaning efficiency**

The DetergentAgent adjusts the wash cycle to the chemical used (detergent, rinse aid, reactivation salt) and uses available resources to the full.

To achieve the best possible cleaning and drying results, Miele recommends dispensing detergent, rinse aid and reactivation salt separately.

**Optimum drying – always**

The ambient temperature in your kitchen and the size of load may impair drying results. In the Automatic programme, SensorDry ensures perfect drying results even under unfavourable conditions.

**care**collection

# Dishwashers

## Dishwashing programmes

### Dishwashing programmes



**Automatic:**  
**The all-round programme**

The simplest approach to perfect glassware care. This programme recognises load sizes and the degree of soiling and adjusts the programme accordingly. This saves water, electricity and time - efficiency the Miele way!



**Gentle:**  
**For valuable and delicate items**

This programme is ideally suited to the needs of temperature-sensitive glassware and crockery with light soiling. In this programme, a sensor measures the degree of soiling of the water and adjusts the programme sequence accordingly.



**Intensive 75°C:**  
**The specialist for difficult cases**

Heavily soiled crockery with dried-on residue, pots and pans – just the job for the Intensive 75°C programme. Crockery heavily soiled with starch and protein residue is washed spotlessly clean.



**EnergySave:**  
**Minimum electricity and water consumption**

This programme is a true champion when it comes to economy. Extended exposure times at low temperatures reduce energy and water consumption to a minimum. This protects the environment and light on the pocket – without compromising results.



**Hygiene:**  
**Thorough cleanliness**

The ideal programme for uncompromising hygiene. An extended exposure time at 70°C removes bacteria from, for example, baby bottles, cutting boards and kitchen utensils. Germany's leading WfK institute recommends the Miele Hygiene programme and confirms the deactivation of 100% of bacteria.



**Quick wash 40°C**  
**Cleans crockery in only 33 minutes**

This fast programme is ideal for removing fresh and non-sticking food residue. With a programme cycle of only 33 minutes, crockery is ready for use again in next to no time.

# Programmes to suit every need



## Cold pre-wash

Useful for rinsing off food residues while waiting for a full load to collect. This prevents food from drying on and causing a build-up of unpleasant smells.



If your dishwasher model does not have a pre-wash option, please select the following: "Turbo" option + Quick wash 40°C = Pre-wash



## Intensive 65°C

This programme is suitable for heavily soiled crockery, and uses a pre-rinse to loosen dried-on starchy residues before running both the main wash and rinses at 65°C.



**Only from MIELE**

## Plastics

The optimum programme for dishwasher proof plastic items, including toys and food containers.



**Only from MIELE**

## Pasta

Do you love pasta and paella? If so, then you'll love the pasta programme which removes all traces of dried-on remains and tomato sauce.



**Only from MIELE**

## Tall items 45°C/65°C

These programmes are suitable for washing tall or oversized items in the lower basket.



## Energy save

This programme is suitable for everyday loads of lightly or normally soiled dishes.



**Only from MIELE**

## Glasses quick/ Glasses warm

These programmes are ideal for glasses. Because they do not use rinse aid, there is no residue left on the glasses to spoil your enjoyment.



## Light 50°C:

### The everyday artist

This programme removes typical daily soiling and is ideal for mixed loads. Shorter programme, perfect for normally soiled crockery with slightly dried-on food residue.

# Dishwashers

## Models





**Freestanding dishwashers:**

Independent dishwashers with a hard-wearing laminate worktop. As these units are not built in, they can move house with their owners.



**Integrated dishwashers:**

Appliance fronts and fascias are designed to take front panels to match kitchen furniture. Alternatively, front panels in clean steel can be used.



**Fully integrated dishwashers:**

The entire front of the appliance is concealed behind cabinetry panelling or a Miele front made from CleanSteel stainless steel. This allows dishwashers to blend in unobtrusively with the design of the kitchen.



**XXL dishwashers:**

Integrated and fully integrated dishwashers from Miele are available with a standard height of 81 cm and as XXL models with a height of 85 cm. Miele XXL dishwashers offer 4 cm of additional height in the upper basket. The deeper basket offers even greater flexibility and more positions for example for stemware, large coffee mugs and plates with a diameter of up to 23 cm.



# Freestanding

## G 5100 SC – 14 place setting



### G 5100 SC

#### Energy label ratings

Energy consumption    Wash performance    Drying efficiency



#### DESIGN

Freestanding model in Brilliant white with ergonomic control panel.

Dimensions:

(H – 88 cm) (W – 59 cm) (D – 60 cm) (W – 58 kg)

#### DESIGN AND COMFORT

46 dB (A) re1pW

Ergonomic control panel

Intuitive user guidance of the programme selection

3-digit seven-segment display

LED programme display

24 hours Delay Start

#### EFFICIENCY AND SUSTAINABILITY

Energy Saving: 13 l water, 1.02 kWh of electricity

Energy efficiency rating A

#### CROCKERY AND GLASSWARE

Perfect Glass Care

Detergent Agent

SoftClose

PC Update

#### DISHWASHING PROGRAMMES

Sensor Wash, Quick wash 40°C, Sensor wash

Gentle, Energy save, Light soiling 50°C,

Pots and Pans 75°C

#### DRYING

Turbothermic drying

#### BASKET DESIGN

Standard cutlery tray

ExtraComfort lower and upper basket

High quality basket handle

14 place settings

#### TECHNOLOGY AND QUALITY

Auto Sensor

Heating pump

20 year life test \*

(\* indicates 7500 programme procedures)

Automatic spray arm pressure control

#### SAFETY

Waterproof system

LED Indicators:

Salt and Rinse aid, Water inlet and outlet indicator

Door with child safety lock

# Freestanding

## G 5500 SC – 14 place setting



### G 5500 SC

#### Energy label ratings

Energy consumption    Wash performance    Drying efficiency



#### DESIGN

Freestanding model in Brilliant White

Dimensions:

(H – 88 cm) (W – 60 cm) (D – 60 cm) (W – 60 kg )

#### DESIGN AND COMFORT

44 dB (A) re1pW

Ergonomic control panel

Intuitive user guidance of the programme selection

Clear single-line display with clear text

Programme displays on the monitor

24 hour delay start with countdown indicator

Turbo function

Intensive lower basket

#### EFFICIENCY AND SUSTAINABILITY

Energy Saving: 10 l water, 0.95 kWh of electricity

10% better than Energy Efficiency Class A

#### CROCKERY AND GLASSWARE

Perfect Glass Care

Cleaner Agent

Electronic rinse aid dosage

Turbo option

Programmable options

Soft Close

PC Update

#### DISHWASHING CYCLES

Sensor wash, Quick 40°C, Sensor wash gentle,

Energy save, Light soiling 50°C, Pots and Pans 75°C

#### SPECIAL PROGRAMME

Intensive lower basket

#### DRYING

Circulating air-drying Turbothermic

SensorDry

#### BASKET DESIGN

3D cutlery drawer

HighComfort lower and upper basket

High quality basket handle

14 place settings

#### TECHNOLOGY AND QUALITY

Auto Sensor

Heating pump with removable Rinse

20 year life test \*

(\* indicates 7500 programme procedures)

Electronic water hardness control

Automatic spray arm pressure control

#### SAFETY

Waterproof system

Control displays:

Salt and Rinse Aid, Water inlet and outlet

Door with Child safety lock

# Freestanding

## G 5500 SC – 14 place setting



### G 5500 SC CLST

#### Energy label ratings

Energy consumption    Wash performance    Drying efficiency



#### DESIGN

Freestanding model in CleanSteel

Dimensions:

(H – 88 cm) (W – 60 cm) (D – 60 cm) (W – 60 kg )

#### DESIGN AND COMFORT

44 dB (A) re1pW

Ergonomic control panel

Intuitive user guidance of the programme selection

Clear single-line display with clear text

Programme displays on the monitor

24 hour delay start with countdown indicator

Turbo function

Intensive lower basket

#### EFFICIENCY AND SUSTAINABILITY

Energy Saving: 10 l water, 0.95 kWh of electricity

10% better than Energy Efficiency Class A

#### CROCKERY AND GLASSWARE

Perfect Glass Care

Cleaner Agent

Electronic rinse aid dosage

Turbo option

Programmable options

Soft Close

PC Update

#### DISHWASHING CYCLES

Sensor wash, Quick 40°C, Sensor wash gentle,

Energy save, Light soiling 50°C, Pots and Pans 75°C

#### SPECIAL PROGRAMME

Intensive lower basket

#### DRYING

Circulating air-drying Turbothermic

SensorDry

#### BASKET DESIGN

3D cutlery drawer

HighComfort lower and upper basket

High quality basket handle

14 place settings

#### TECHNOLOGY AND QUALITY

Auto Sensor

Heating pump with removable Rinse

20 year life test \*

(\* indicates 7500 program procedures)

Electronic water hardness control

Automatic spray arm pressure control

#### SAFETY

Waterproof system

Control displays:

Salt and Rinse Aid, Water inlet and outlet

Door with Child safety lock

# Integrated

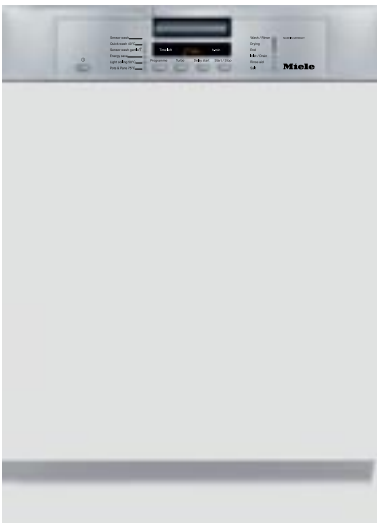
## G 5300 SCi – 14 place setting



### G 5300 SCi

#### Energy label ratings

Energy consumption    Wash performance    Drying efficiency



#### DESIGN

Integrated model with an ergonomically inclined control panel

Dimensions: See diagram below

#### DESIGN AND COMFORT

46 dB (A) re1pW

Ergonomic control panel

Intuitive user guidance of the program selection

3-digit seven-segment display

LED program display

24 hour delay start with countdown indicator

Turbo function

#### EFFICIENCY AND SUSTAINABILITY

Energy Saving: 10 l water, 0.95 kWh of electricity

10% better than Energy Efficiency Class A

#### CROCKERY AND GLASSWARE

Perfect Glass Care

Soft Close

PC Update

#### DISHWASHING PROGRAMMES

Sensor Wash, Quick wash 40°C, Sensor Wash

Gentle, Energy save, Light soiling 50°C,

Pots and Pans 75°C

#### DRYING

Circulating air-drying Turbothermic

#### BASKET DESIGN

Standard cutlery tray

ExtraComfort lower and upper basket

High quality basket handle

14 place settings

#### TECHNOLOGY AND QUALITY

Auto Sensor

Heating pump with removable Rinse

20 year life test \*

(\* indicates 7500 program procedures)

Electronic water hardness control

Automatic spray arm pressure control

PC Update

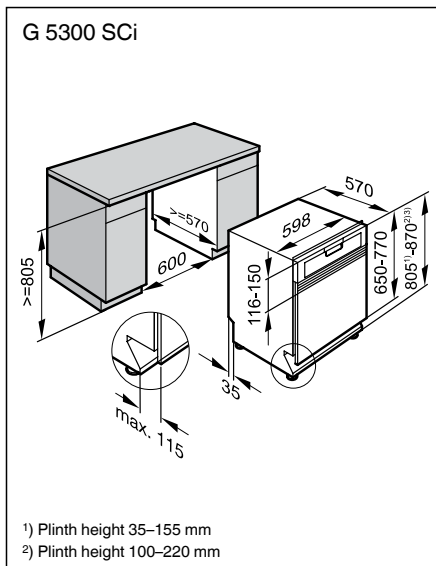
#### SAFETY

Waterproof system

LED Indicators:

Salt and Rinse Aid, water inlet/outlet indicators

Door with Child safety lock



# Integrated

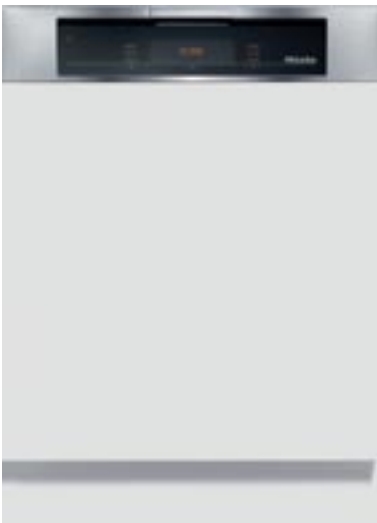
## G 5935 SCi XXL – 14 place setting



### G 5935 SCi XXL CLST

#### Energy label ratings

Energy consumption    Wash performance    Drying efficiency



#### DESIGN

Integrated model with ergonomically inclined control panel in Clean Steel  
Dimensions: See diagram below

#### DESIGN AND COMFORT

Brilliant Light  
41 dB (A) re1pW, 38 dB (A) on the special programme re1pW Extra Quiet  
AutoClose  
Salt container in the door  
Ergonomic control panel  
Easy-to-program selection, info, and Clear-touch buttons  
Clear Navitronic Touch Control display with clear text  
Individual order of the programmes set  
Programme displays on the monitor  
24 hour delay start with countdown indicator  
Turbo function  
Intensive lower basket

#### EFFICIENCY AND SUSTAINABILITY

Energy Saving: 10 l water, 0.83 kWh of electricity  
Sensor Wash Programme: 7 Litres of water  
20% better energy efficiency class A  
Half load  
PC Update

#### CROCKERY AND GLASSWARE

Perfect Glass Care  
Detergent Agent

#### DISHWASHING PROGRAMMES

Sensor wash, Quick Wash 40°C, Sensor Wash  
Gentle, Energy Save, Light Soiling 50°C,  
75°C Pots and Pans,

#### SPECIAL PROGRAMMES FOR INDIVIDUAL ITEMS TO BE WASHED:

Pre-rinsing 65°C, Pasta/Paella/Raglette, Plastics, without upper basket  
65°C, Beer glasses, Hygiene, Extra Quiet (38 dB (A) re1pW)

#### DRYING

Recirculation Turbothermic drying  
SensorDry  
Auto Open-drying

#### BASKET DESIGN

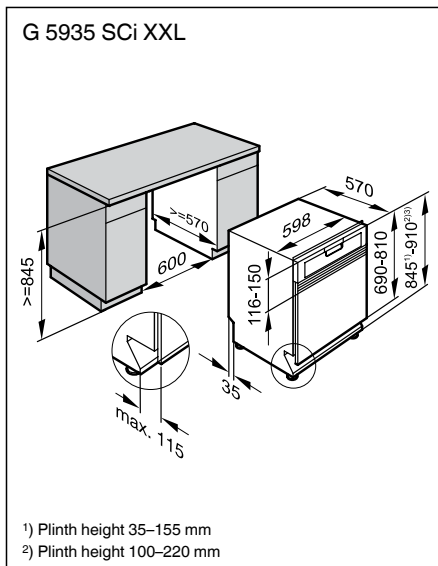
Unique 3D cutlery drawer  
PremiumComfort lower and upper basket  
Stainless steel basket handle  
14 place settings

#### TECHNOLOGY AND QUALITY

Auto Sensor  
Heating pump with variable speed alternating flushing and Communication capability pre-equipped home: for the system Miele@home 20 year life test \* (\* indicates 7500 programme procedures)

#### SAFETY SYSTEMS

Waterproof system  
Control displays:  
Salt and Rinse Aid, Monitors Middle and lower spray arm  
Door with child safety device  
Indicator lamp for water inlet/outlet indicators  
Optical and acoustic control function with volume control  
System lock



# Fully Integrated

## G 5370 SCVi – 14 place setting



### G 5370 SCVi

#### Energy label ratings

Energy consumption    Wash performance    Drying efficiency



#### DESIGN

Fully integrated model with control panel in CleanSteel

Dimensions: See diagram below

#### DESIGN AND COMFORT

46 dB (A) re1pW

ComfortClose

Intuitive user guidance of the programme selection

3-digit seven-segment display

24 hour delay start with countdown indicator

Turbo function

#### EFFICIENCY AND SUSTAINABILITY

Energy Saving: 10 l water, 0.95 kWh of electricity

10% better than Energy Efficiency Class A

#### CROCKERY AND GLASSWARE

Perfect Glass Care

Detergent Agent

#### DISHWASHING CYCLES

Sensor wash, Quick 40°C, Sensor Wash Gentle,

Energy Save, Light soiling 50°C, Pots and Pans 75°C

#### DRYING

Circulating air-drying Turbothermic

#### BASKET DESIGN

Standard cutlery tray

ExtraComfort lower and upper basket

High quality basket handle

14 place settings

#### TECHNOLOGY AND QUALITY

Auto Sensor

Heating pump with removable Rinse

20 year life test \*

(\* indicates 7500 programme procedures)

Electronic water hardness control

Automatic spray arm pressure control

PC Update

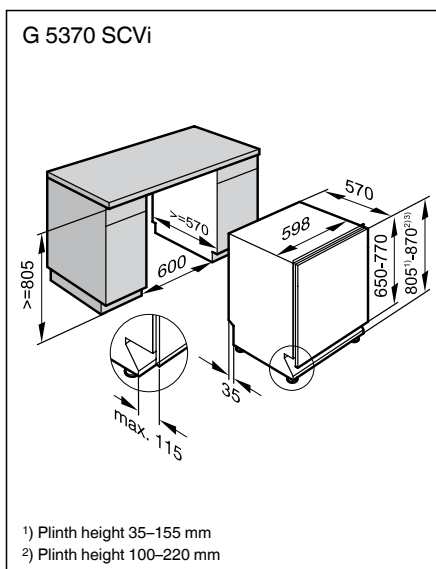
#### SECURITY

Waterproof system

LEDs Indicators:

Salt and Rinse Aid, Water inlet/outlet indicator

Acoustic Control function



# Fully Integrated

## G 5885 SCVi XXL – 14 place setting



### G 5885 SCVi XXL

#### Energy label ratings

Energy consumption    Wash performance    Drying efficiency



#### DESIGN

Fully Integrated model with control panel in clean steel

Dimensions: See diagram below

#### DESIGN AND COMFORT

Brilliant Light

41 dB (A) re1pW, 38 dB (A) in the special programme

re1pW ExtraQuiet

SoftClose

Salt container in the door

Intuitive user guidance of the programme selection

Clear single-line display with clear text

Program displays on the monitor

24 hour delay start with countdown indicator

Turbo function

Intensive lower basket

#### EFFICIENCY AND SUSTAINABILITY

Energy Saving: 10 l water, 0.83 kWh of electricity:

from 7 litres of water

20% better energy efficiency class A

Half load

PC Update

#### CROCKERY AND GLASSWARE

Perfect Glass Care

Detergent Agent

#### DISHWASHING CYCLES

Sensor Wash, Quick Wash 40°C, Sensor Wash

Gentle, Energy Save, Pots and Pans 75°C

#### SPECIAL PROGRAMMES

Extra quiet ( 38dB (A) re1 Pw )

Intensive Lower basket

#### DRYING

Circulating air-drying Turbothermic

SensorDry

Auto Open-drying

#### BASKET DESIGN

3D cutlery drawer

PremiumComfort lower and upper basket

Stainless Steel basket handle

14 place settings

#### TECHNOLOGY AND QUALITY

Auto Sensor

Heating pump with variable speed alternating flushing and 20 year life test \*

(\* indicates 7500 programme procedures)

Electronic water hardness control

Automatic spray arm pressure control

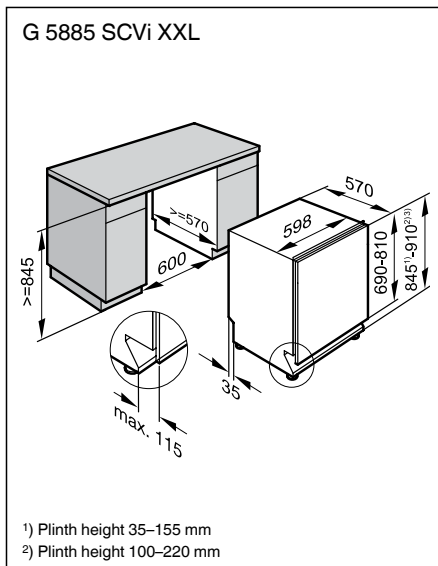
#### SAFETY

Waterproof system

Control displays:

Salt and rinse aid, Water inlet and outlet indicators, spray arm medium

Optical and acoustic control function with volume control



# Technical Information

Miele	G 5100 SC	G 5500 SC	G 5500 SC CLST	G 5300 SCi	G 5370 SCVI	G 5885 SCVI	G 5935 SCi
<b>Model</b>							
<b>Freestanding</b>							
brilliant white	●	●					
CleanSteel			●				
<b>integrated</b>							
brilliant white				GW 5300/5 B/W			
CleanSteel				GW 5300/5			●
<b>fully-integrated</b>							
				clst	●	●	
<b>Control Panel</b>							
straight/angled	●/-	●/-	●/-	●/-			-/●
New handle design/Standard handle	●/-	●/-	●/-	●/-			●/-
<b>Programme selection</b>							
<b>09.06.2010</b>							
Buttons	●/5	●/6	●/6	●/5	●/4	●/5	
Softkeys/Hardkeys							●/● (6/3)
On/Off	●	●	●	●	●	●	Hardkey
Programme selection	●	●	●	●	●	●	Softkey
Start/Stop	●	●	●	●	●	●	Softkey
Delay start button	●	●	●	●	●	●	Softkey
Info button							Hardkey
Clear							Hardkey
Turbo	●	●	●	●	●	●	Softkey
Intensive lower basket		●	●			●	Softkey
OK							Softkey
<b>Display</b>							
3-digit display	●						
3-digit 7-segment indicator/countdown indicator					●	●	
1-line display		●	●			●	
2-line fully integrated display							
Navitronic display							●
<b>Control indicators</b>							
Water intake/drainage	1/LED	Display	Display	1/LED	1/LED	Display	Display
Salt and rinse aid	2/LED	Display	Display	2/LED	2/LED	Display	Display
Filter		Display	Display			Display	Display
Lower/middle spray arm						-/● Display	●/● Display
Programme sequence (washing/drying/end)	3/LED	Display	Display	3/LED		Display	Display
Optical/acoustic function monitor					-/●	●/●	●/●
- Buzzer with volume control						●	Display
PC LED		●	●			●	●
Perfect GlassCare		Display	Display			Display	Display
<b>Programmes</b>							
<b>Standard programmes</b>							
Number/Temperature	40-75°	40-75°C	40-75°C	40-75°C	40-75°C	40-75°C	40-75°C
	6	6	6	6	6	6	16
Sensor wash	1	1	1	1	1	1	1
China & Crystal	3	3	3	3	3	3	3
Pots & Pans 75°C	6	6	6	6	6	6	7
Economy	4	4	4	4	4	4	5
Hygiene							8
ExtraQuiet						5 (38 dB)	4 (38 dB)
Light wash 50°C	5	5	5	5	5		6
Express 40°C	2	2	2	2	2	2	2
Rinse & Hold							9
							11
<b>Special programmes</b>							
Plastics							13
Starch/Cheese							12
Without upper basket 65°C							14
Glassware - no rinse aid cold/warm							15/16
<b>Sensor technology</b>							
EcoSensor Plus (only turbidity measurement)	●						
AutoSensor (+ bubble separator function)		●	●	●	●	●	●
SensorDry		●	●			●	●
Automatic load recognition						●	●
Middle/lower spray arm sensor						●/-	●
DetergentAgent	●	●	●	●	●	●	●
<b>Drying</b>							
active Condensation drying	●	●	●	●	●		●
Turbothermic plus drying						●	●
AutoOpen-Drying						●	●
<b>Heating</b>							
Heater circulation pump	●						
- with spray arm alternation		●	●	●	●		
BLPM pump							
(with spray arm alternation and var. rotation speed)					●	●	
<b>Convenience</b>							
In-door salt container						●	●
AutoClose							●
BrilliantLight						●	●

Miele							
Model	G 5100 SC	G 5500 SC	G 5500 SC CLST	G 5300 SCi	G 5370 SCVi	G 5885 SCVi	G 5935 SCi
<b>Energy label ratings</b>							
Water consumption (Energy-Label) (l)	13	10	10	10	10	10	10
Water consumption (SaniWash) (l)						up to 7	up to 7
Energy consumption (kWh)	1.02	0.95	0.95	0.95	0.95	0.83	0.83
Capacity (place settings)	14	14	14	14	14	14	14
Sound emissions (dB)	46	44	44	46	46	41	41
Label declaration (energy/cleaning/drying)	AAA	AAA	AAA	AAA	AAA	AAA	AAA
<b>Miele@home</b>							
Pre-equipped							●
SuperVision-Display-Feature							●
<b>Basket design</b>							
Lower basket	GUK 5200	GUK 5500	GUK 5500	GUK 5200	GUK 5200	GUK 5800	GUK 5800
Upper basket	GOK 5200	GOK 5500	GOK 5500	GOK 5200	GOK 5200	GOK 5805	GOK 5805
Cutlery tray	SC			SC	SC		
3D cutlery tray		3D-SC	3D-SC			3D-SC	3D-SC
<b>Miscellaneous</b>							
Door lock with child safety	●	●	●	●			●
Programme lock							●
ComfortClose	●	●	●	●	●	●	●
Dimmable LED		●	●			●	●
Perfect GlassCare	●	●	●	●	●	●	●
ThermoSave	●	●	●	●	●	●	●
<b>Electricity</b>							
Plug	ZA	ZA	ZA	ZA	ZA	ZA	ZA
Heater rating	2110 Watt	2110 Watt	2110 Watt	2110 Watt	2110 Watt	2110 Watt	2110 Watt
Electrical connection	230-240 V, 2.2-2.3 kW 10 A	230-240 V, 2.2-2.3 kW 10 A	230-240 V, 2.2-2.3 kW 10 A	230-240 V, 2.2-2.3 kW 10 A	230-240 V, 2.2-2.3 kW 10 A	230-240 V, 2.2-2.3 kW 10 A	230-240 V, 2.2-2.3 kW 10 A

# Miele support and The Miele Service Certificate



The price of a Miele appliance does not just cover the product, it also buys you excellent service.

Not only can you expect expert product advice from our well trained agents, we also have a team of Home Demonstrators and a Customer Services Department, based at our Head Office in Bryanston, Durban, Cape Town and Brooklyn Pretoria. They will be pleased to offer advice and information to establish which is the right appliance for you and help you make the most of it after you have taken it home. If you are considering purchasing a selection of Miele Appliances, why not make an appointment to visit our showrooms in Bryanston, Brooklyn Pretoria, Umhlanga or in Cape Town. Here most appliances in the range are on display and one of our appliance experts will show you around and discuss your requirements in depth.

Should something go wrong, just one call is all it takes to arrange for one of our service technicians to visit. They are equipped with laptop computers for rapid diagnosis of faults, which means less inconvenience to you. When a part is used from van stock, it is automatically reordered and replaced, so stock is always up-to-date.

In addition, we have a large Spare Parts division able to offer advice and sales of any spare part or accessory you require. Because Miele appliances are designed to last a long time, parts and instruction books are held for 15 to 20 years after a model is discontinued, so even an "oldie" can be repaired.

## Miele Service Certificate



**The Miele Service Certificate:**  
**The 10-year Comprehensive 'peace of mind' Service package directly from Miele.**

Miele appliances stand for top quality, optimum user convenience and a long life expectancy. The Miele Service Certificate provides you with maximum service protection. This exclusive service certificate guarantees that Miele will assume all costs incurred for any repairs for up to 10 years after your purchase date.

### **The Miele Service Certificate:**

The Miele Service Certificate gives you complete peace of mind for 8 years after the standard 2-year manufacturer's warranty has expired. Miele offers professional support and expert troubleshooting from just one source: 0860 000 622

- Free-of-charge additional services
- In addition to repair cover, this certificate provides consumers with further exclusive services:
- 'Satisfaction-guaranteed' money-back scheme
  - Fast track support from Miele's call centre as a premier Miele Customer
  - Provision of replacement appliances in emergencies (conditions apply)
  - Direct ordering of Miele accessories

For more information ask your sales person or contact Miele on 0860 000 622

## Other products



As well as the superb range of dishwashers you've seen here, Miele also offers domestic washing machines, tumble dryers, refrigeration, ovens, microwave ovens, steam ovens, food warmers, coffee machines, hobs and hoods. And for the finishing touch, Miele's powerful vacuum cleaners help keep the house clean.

Miele also manufacture machines for commercial applications and offer a wide range of high throughput dishwashers, washer-disinfectors, washing machines and dryers as well as rotary ironers for use in hotels, guest houses, hospitals and laboratories.

For further details on any of these, as well as Miele's nationwide Service, contact Miele Head Office in Bryanston.

**Miele (Pty.) Ltd.**  
**63 Peter Place**  
**Bryanston 2194**  
**P.O.Box 69434**  
**Bryanston 2021**  
**South Africa**

**Telephone (011) 548 1900**  
**Telefax (011) 548 1935**  
**Share call: 0860 000 622**  
**Share fax: 0860 000 633**

**Showrooms:**  
**Bryanston Johannesburg**  
**63 Peter Place**  
**Telephone (011) 548 1900**

**Brooklyn Pretoria**  
**Brooklyn Bridge**  
**Office Park**  
**Shop 1**  
**570 Fehrsen Street**  
**Telephone (012) 346 3030**

**Umhlanga KZN**  
**8 Solstice Road**  
**Cnr Millenium Boulevard**  
**Shop 1**  
**Ground Floor**  
**Millenium Towers**  
**Umhlanga**  
**Telephone (031) 584 6929**

**Cape Town**  
**Ground Floor**  
**Mettle Building**  
**Willie van Schoor Ave**  
**Tygervalley**  
**7530**  
**Telephone (021) 946 3148**

**E-Mail: [info@miele.co.za](mailto:info@miele.co.za)**  
**Internet: [www.miele.co.za](http://www.miele.co.za)**

**For details of our other products the following brochures are also available on request:**

**Dishwashers**  
**Refrigeration**  
**Vacuum cleaners**  
**Built-in appliances**

**To order please phone one of the above numbers or visit our website.**

Protecting the environment:

This brochure is printed on paper  
 bleached without the use of chlorine.

### Foreign Sales Companies

<b>(A)</b>	Miele Ges.m.b.H., Wals/Salzburg	<b>(J)</b>	Miele Japan Corp., Shibuya-ku/Tokyo
<b>(AUS)</b>	Miele Australia Pty. Ltd., Melbourne	<b>(KZ)</b>	Miele Liability Partnership, Almaty
<b>(B)</b>	N.V. Miele S.A., Mollem	<b>(L)</b>	Miele s.à.r.l., Luxembourg
<b>(CDN)</b>	Miele Limited, Vaughan/Ontario	<b>(LT)</b>	Miele Appliances UAB, Vilnius
<b>(CH)</b>	Miele AG, Spreitenbach	<b>(LV)</b>	Miele SIA, Riga
<b>(CL)</b>	Miele Ltda., Santiago de Chile	<b>(MAL)</b>	Miele Sdn Bhd, Kuala Lumpur
<b>(CN)</b>	Miele Shanghai Trading Ltd., Shanghai	<b>(MEX)</b>	Miele S.A. de C.V., Mexico City
<b>(CZ)</b>	Miele spol.s.r.o., Brno	<b>(N)</b>	Miele AS, Rud/Oslo
<b>(D)</b>	Miele & Cie. KG, Gütersloh	<b>(NL)</b>	Miele Nederland B.V., Vianen
<b>(DK)</b>	Miele A/S, Glostrup/Copenhagen	<b>(NZ)</b>	Miele New Zealand Ltd., Auckland
<b>(E)</b>	Miele S.A., Alcobendas/Madrid	<b>(P)</b>	Miele Portuguesa Lda., Carnaxide/Lisbon
<b>(EST)</b>	Miele OÜ, Tallinn	<b>(PL)</b>	Miele Sp. z o. o., Warsaw
<b>(F)</b>	Miele S.A.S., Le Blanc-Mesnil/Paris	<b>(RO)</b>	Miele Appliances S.R.L., Otopeni
<b>(FIN)</b>	Miele Oy, Vantaa/Helsinki	<b>(ROK)</b>	Miele Korea Ltd., Seoul
<b>(GB)</b>	Miele Company Ltd., Abingdon	<b>(RU)</b>	000 Miele CIS, Moscow
<b>(GR)</b>	Miele Hellas E.P.E., Psychiko-Athens	<b>(S)</b>	Miele AB, Solna/Stockholm
<b>(H)</b>	Miele Kft., Budapest	<b>(SGP)</b>	Miele Pte. Ltd., Singapore
<b>(HK)</b>	Miele Hong Kong Ltd., Hong Kong	<b>(SK)</b>	Miele spol.s.r.o., Bratislava
<b>(HR)</b>	Miele d.o.o., Zagreb	<b>(SLO)</b>	Miele d.o.o., Ljubljana
<b>(I)</b>	Miele Italia S.R.L., Eppan	<b>(SRB)</b>	Miele d.o.o., Belgrad
<b>(IND)</b>	Miele India Pvt Ltd., New Delhi	<b>(TR)</b>	Miele Elektrikli Ltd. Sti., Levent/Istanbul
<b>(IRL)</b>	Miele Ireland Ltd., Dublin	<b>(UA)</b>	Miele LLC, Kiev
		<b>(UAE)</b>	Miele Appliances Ltd., Dubai
		<b>(USA)</b>	Miele, Inc., Princeton/New Jersey
		<b>(ZA)</b>	Miele (PTY) Ltd., Bryanston/Johannesburg

Every effort has been made to ensure that the information given in this brochure is correct at the time of printing. However, due to continuous product improvement, Miele reserves the right to make changes to products and technical data without prior notice.

The images, logos, names and trading marks used in this brochure to identify Miele, our products and services are our proprietary marks whether registered or unregistered.

These may only be used with the express permission of Miele.